

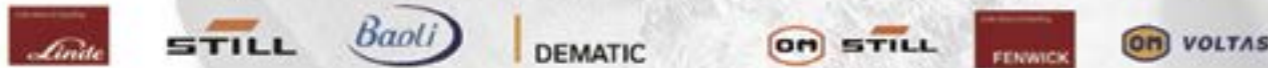
» TWO WORLDS, ONE IDEA

When Germany's KION Group acquired Baoli in 2009, the company recognised that Baoli's strength in manufacturing price-competitive forklift trucks and warehouse equipment was a perfect complement to the product offering of its Linde Material Handling brand.

Today, Baoli operates in over 80 markets around the world and employs over 700 staff at its Jingjiang city plant, where industry-leading components, technologies and production lines – re-modelled by KION and made in Germany – underpin its operational excellence.

In Australia, Baoli's value range is backed by the nationwide service and support network of Linde Material Handling. With 155 qualified mobile technicians, all trained and graded on Baoli products, and fully equipped workshops and spare part stores in each capital, Baoli customers enjoy unrivalled service and support.

KION
GROUP



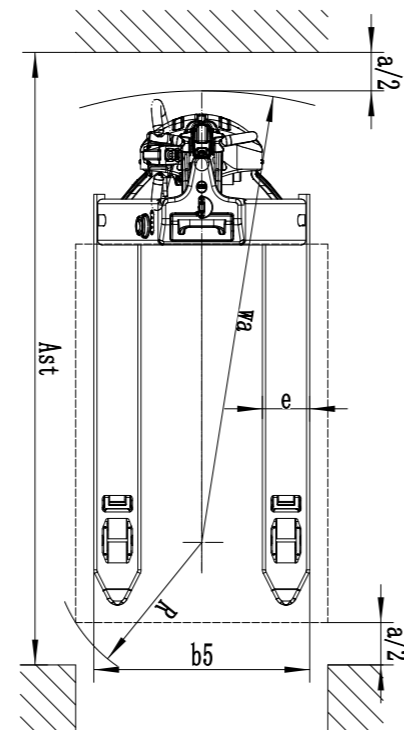
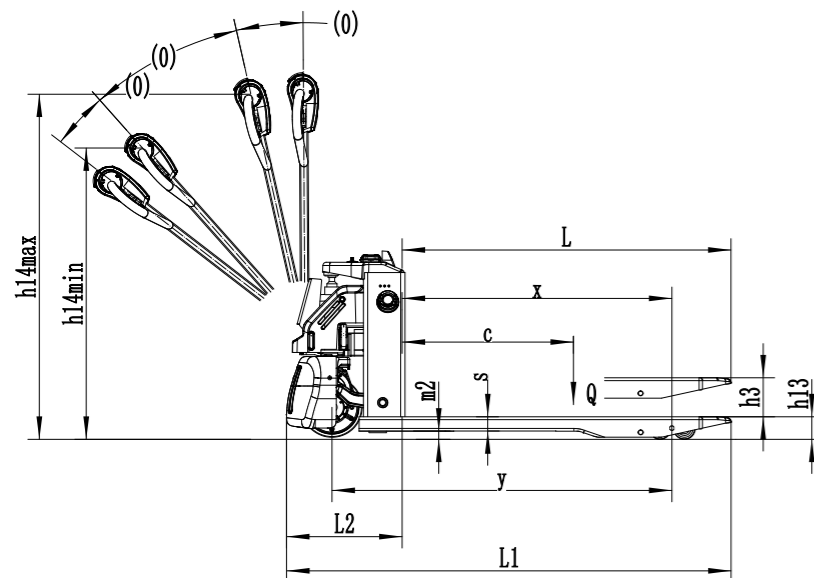
EP15-03 Electric Warehouse Truck





Specifications

	Item Description	Unit	Design value	
Characteristics	1.1	Manufacturer	Baoli	
	1.2	Model Designation	EP15-03	
	1.3	Drive Unit	Battery	
	1.4	Operator Type	Pedestrian	
	1.5	Rated Capacity	Q (kg)	1500
	1.6	Load Center Distance	c (mm)	600
	1.8	Load Distance	x (mm)	950(880)
	1.9	Wheelbase	y (mm)	1190(1120)
	Weights	2.1	Service Weight (include battery)	(kg)
2.2		Axle loading, laden driving side/loading side	(kg)	480/1140
2.3		Axle loading, unladen driving side/loading side	(kg)	90/30
Types, Chassis	3.1	Tyre type driving wheels/loading wheels		PU/PU
	3.2	Tyre size, driving wheels (diameter x width)	(mm)	210x70
	3.3	Tyre size, loading wheels (diameter x width)	(mm)	80x60 (74x88)
	3.4	Tyre size, caster wheels (diameter x width)	(mm)	/
	3.5	Wheels, number driving, caster/loading (x=drive wheels)	(mm)	1x, 4(1x, 2)
	3.6	Track width, front, driving side	b10(mm)	/
	3.7	Track width, rear, loading side	b11(mm)	410(535)
Dimensions	4.4	Lift Height	h3(mm)	115
	4.9	Height drawbar in driving position min./max.	h14(mm)	750/1190
	4.15	Lowered Height	h13(mm)	80
	4.19	Overall Length	l1(mm)	1540
	4.20	Length to face of forks	l2(mm)	400
	4.21	Overall width	b1(mm)	685
	4.22	Fork dimensions	s/e/l(mm)	50x150x1150
	4.25	Distance between fork-arms	b5(mm)	560(685)
	4.32	Ground clearance, center of wheelbase	m2(mm)	30
	4.34.1	Aisle width for pallets 1000 x 1200 crossways	Ast(mm)	2145
4.34.2	Aisle width for pallets 800 x 1200 lengthways	Ast(mm)	2050	
4.35	Turning radius	Wa(mm)	1330	
Performance	5.1	Travel speed, laden/ unladen	km/h	4.5/5
	5.2	Lifting speed, laden/ unladen	m/s	0.017/0.020
	5.3	Lowering speed, laden/ unladen	m/s	0.09/0.06
	5.8	Max. gradeability, laden/ unladen	%	6/16
	5.10	Service brake type		electric
Drive	6.1	Drive motor rating S2 60 min	kW	0.75
	6.2	Lift motor rating at S3 15%	kW	0.7
	6.3	The maximum allowed size battery	mm	200x100x350
	6.4	Battery voltage/nominal capacity K5	V/Ah	24/20
	6.5	Battery weight	kg	7
Addition data	8.1	Type of drive control		DC
	10.5	Steering type		mechanical
	10.7	Sound pressure level at the driver's ear	dB (A)	<74



If there are improvements of technical parameters or configurations, no further notice will be given. The diagram shown may contain non-standard configurations



Features



Easy plug and play Li-ION battery

Handling

- 24V/20 Ah Lithium-ion battery
- 10 Ah external charger
- Charging time of only 2 hours
- 4.5/5.0 km/h travel speed (with/without load)
- Compact design allows smallest turning radius



Ergonomics

- Electric traveling / lifting
- Manual lowering handle
- Creep speed button
- Lightweight and compact chassis

All controls ergonomically integrated in the Baoli tiller head

NOTE: The performance depicted represents nominal values obtained under typical operating conditions. Performance data may vary due to motor and system efficiency tolerances, and under different working conditions. The description and specifications included on this data sheet were in effect at time of printing. Linde Material Handling Pty Ltd reserves the right to make improvements and changes in specification or design without notice and without incurring obligation.